

Care and Maintenance

Your new garden furniture is a natural timber product. In order that you may prolong the life of this product we recommend that you follow the general care and maintenance advice below.

All fixings to be checked for tightness and signs of deterioration at the beginning of each season and on a regular basis.

Product should be checked regularly and re-coated with a suitable topcoat finish when required. If accidental damage occurs lightly sand and re-coat with a suitable water based wood preservative. Product can be cleaned periodically with a **mild** soapy detergent.

This is a natural product and therefore colour may vary slightly from piece to piece.

As a natural product it is possible that knots can work loose and sometimes fall out, also resin leakage and small cracks can appear on the woods surface. Should this happen, clean off resin, ensure any sharp edges are sanded smooth and recoat.

Products should be given suitable protection from adverse weather conditions, particularly during the winter months.

Please retain these instructions for future reference and use.

Wooden Grilling Pavillion



Attractive outdoor wooden Grilling pavilion ideal for BBQ use with its built-in outlet for smoke, or as a garden shelter for use with seating

Dimensions:
W2000 x D1247 x H2366

Manufactured in the UK from FSC Certified slow grown hardwearing pine



Product Code 141031



The mark of responsible forestry



Manufactured in the UK









Manufactured by:

Anchor Fast
Quality Garden Furniture Since 1993

Helpline: 01302 761573. Open Monday - Friday, from 9.00am - 5.00pm

Wood Grilling Pavilion

Fixings supplied

Ref	Description	Illustration	Qty
1	L 110 x ø6mm Allen Screws		6
2	L 75mm Woodscrew		4
3	L 30mm Woodscrew		20
4	L 45mm Woodscrew		26
5	L 25mm Nails		8
6	L 38mm Woodscrew		8

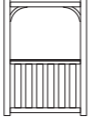
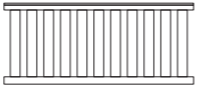

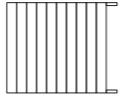


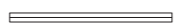

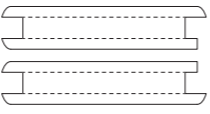
Tools Required

Allen Key (Supplied)
Pozi blade screwdriver
Hammer

Before you start

- Check the fixings pack and make sure you have all of the parts listed above. If not call our helpline
- Use cardboard packaging to protect surfaces during assembly
- Only tighten fully when all components are aligned in place
- Always sight on firm level ground

Parts supplied

Ref	Description	Illustration	Qty
A	Left & Right Hand Side Frame Assemblys		2
B	Frame Back Assembly		1
C	Back Top Rail Assembly		1
D	Roof Assembly		2
E	Facia Boards 2 x L/H 2 x R/H		4
F	Facia Caps x 2		2
G	Chimney Cap		1
H	Chimney		2
J	Shelf 1 x L/H 1 x R/H		2

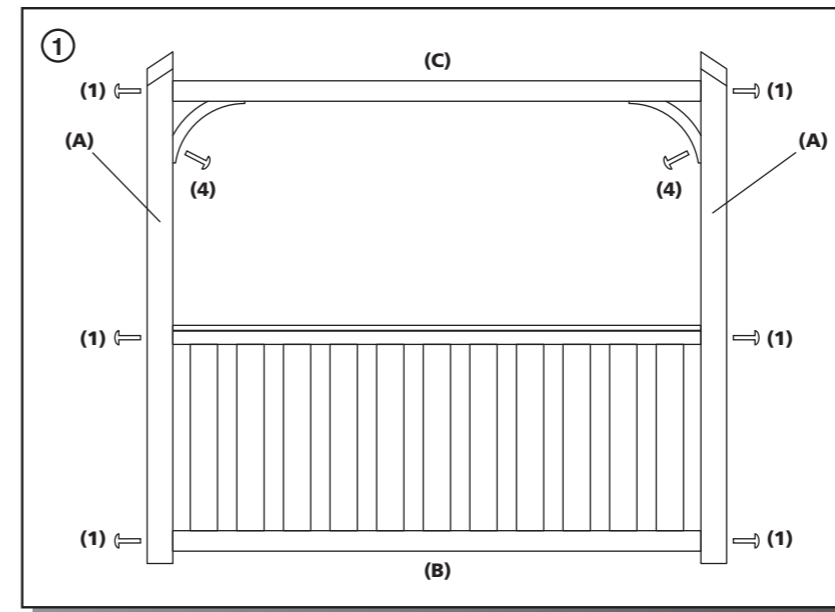


Diagram 1

Fit the 2 x side frame assemblys (A) to the frame back assembly (B) using 4 x fixings (1).

Fit the back top rail assembly (C) to side frame assemblys (A) using 2 x fixings (1) and 2 x fixings (4).

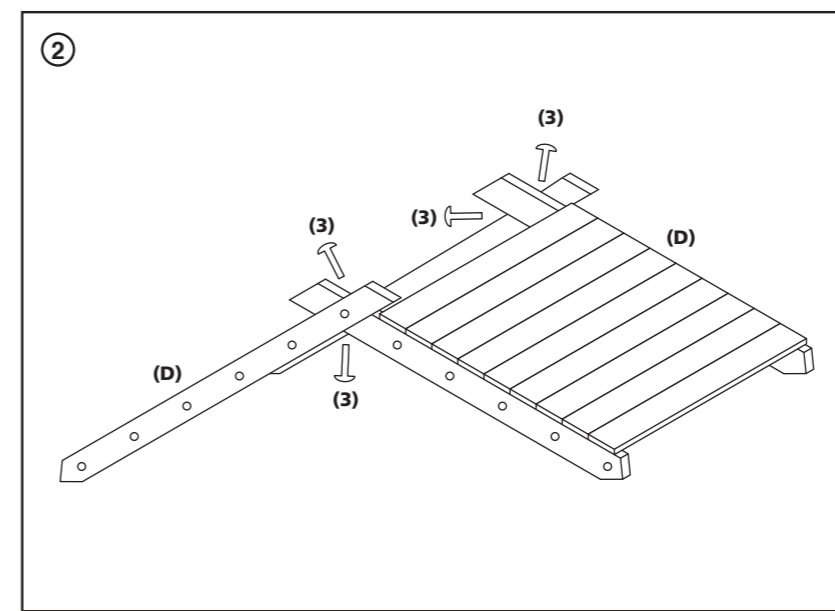


Diagram 2

Fix roof assemblys (D) together using 4 x fixings (3).

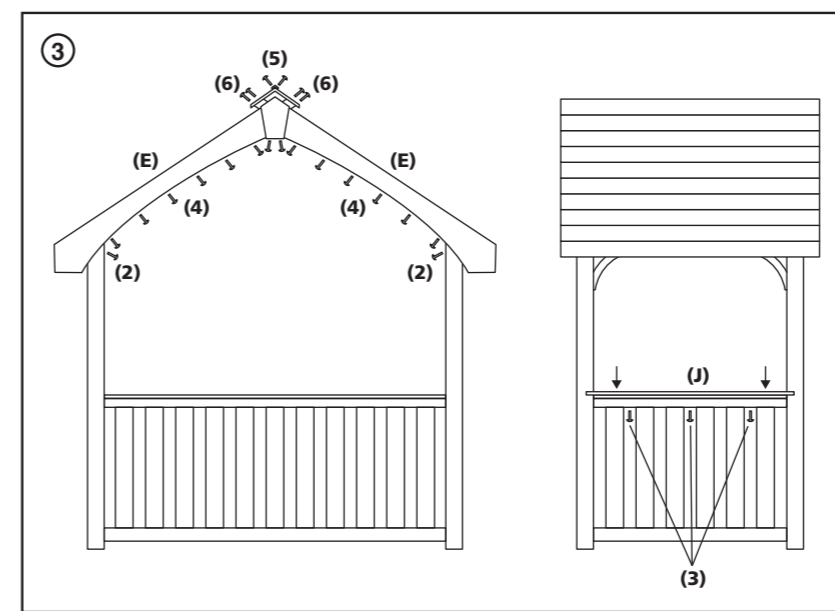


Diagram 3

Lift jointed roof onto assembled frame and fix from outside using 4 x fixings (2).

Fit L/H and R/H facia boards (E) using 24 x fixings (4) aligning using the pre-drilled holes in the roof and the facia board, then fix facia caps to front and back from inside using 4 x fixings (3).

Fix chimney to roof using 8 x fixings (6) and chimney cap (G) using 8 x fixings (5), finally fix L/H and R/H shelf (J) with the groove facing down using 12 x fixings (3).